
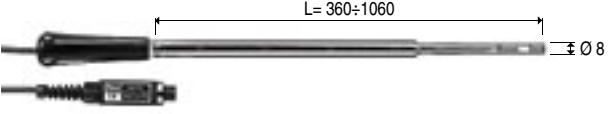
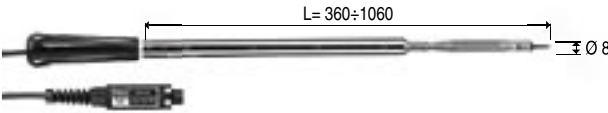


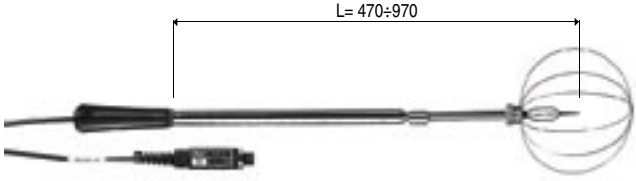
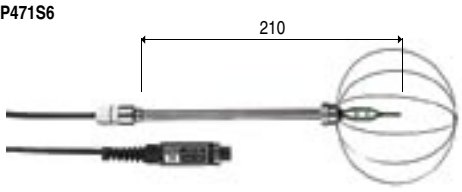





SONDY PREDKOSCI DLA MIERNIKOW PRZENOSNYCH

Code	Range m/s	Range Temp. °C				
TERMOANEMOMETRYCZNE						
AP471S1	0÷40	-30÷110				
AP471S2	0÷5					
AP471S3	0÷40					
AP471S4	0÷5	0÷80			DO2003 DO9847 HD2103.1 HD2103.2 HD2303.0	
AP471S5						
AP471S6						
SKRZYDELKOWE						
AP472S1L	0,6÷20	-25÷80				
AP472S1H	10÷30					
AP472S2	0,25÷20					
AP472S4L	0,6÷20					
AP472S4LT	0,6÷20		-30÷120			
AP472S4H	10÷50		-25÷80			
AP472S4HT	10÷50	-30÷120				
AST1	Teleskop min. L=220mm Teleskop max L=870mm		